

2Megapixel 1080P Water-proof HDCVI IR-Bullet Camera



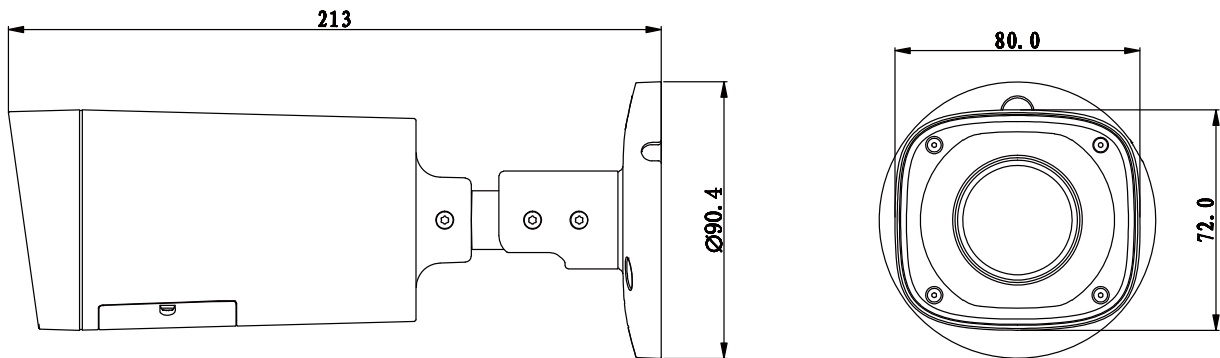
Features

- 1/2.8" 2Megapixel CMOS
- 25/30@1080P, 25/30/50/60fps@720P
- High speed, long distance real-time transmission
- HD and standard definition switchable
- OSD Menu, control over coaxial cable
- Day/Night(ICR), AWB, AGC, BLC, 3D-DNR
- 2.7~12mm motorized lens
- Max. IR LEDs length 30m, Smart IR
- IP66, DC12V

Technical Specifications

Model	195071
Camera	
Image Sensor	1/2.8" 2Megapixel CMOS
Effective Pixels	1984(H)×1105(V)
Electronic Shutter	1/3s~1/100,000s
Video Frame Rate	25/30/50/60fps@720P; 25/30fps@1080P
Synchronization	Internal
Mini. Illumination	0.005Lux@F1.2(AGC ON), 0Lux IR on
Video Output	1-channel BNC HDCVI high definition video output/ CVBS standard definition video output (Can switch)
Camera Features	
Max. IR LEDs Length	30m, Smart IR
Day/Night	Auto(ICR) / Color / B/W
Noise Reduction	2D/3D
OSD Menu	Support
Lens	
Focal Length	2.7~12mm motorized
Lens Type	Motorized / Fixed Iris
Mount Type	Φ14
General	
Power Supply	DC12V±10%
Power Consumption	Max 7.5W
Working Environment	-30°C~+60°C / Less than 95%RH (no condensation)
Transmission Distance	Over 300m via 75-3 coaxial cable
Ingress Protection	IP66
Dimensions(W×D×H)	213mm×80mm×72mm
Weight	0.55kg

Dimensions (mm)



Delta Swiss Technologies

2350 W. Union Hills Drive suite 140

Phoenix, AZ 85027

Tel: 602-573-5410

www.DeltaSwiss.com