

2 Megapixel 1080P HD CVI IR Dome Camera



Features

1/2.8" Sony CMOS Sensor
Super low light performance
HDCVI lossless video output Support
ICR switch,true D/N function 1080P
real time image,high resolution
Support switch to analog mode
Long distance,real time transmission

2 Megapixel 1080P HD CVI IR Dome Camera

Specifications

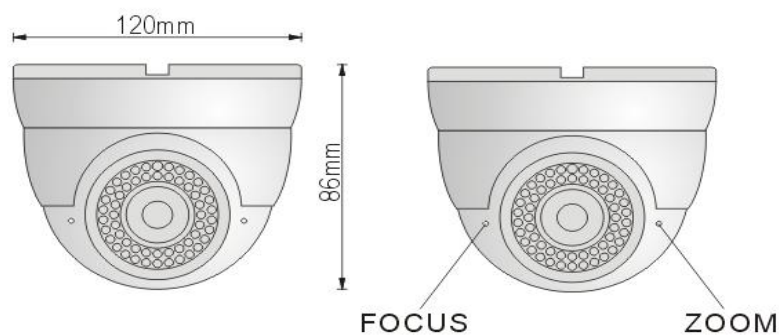
Camera	
Image Sensor	1/2.8" SONY IMX222
Resolution	1920(H)×1080(V)
Image System	PAL/NTSC
Resolution	Digital:1080(30p)
Min.Illumination	0.01Lux(O Lux LED ON)
White Balance	Auto White Balance
Video Standard	Follow HDCVI High Definition Video Standard
Frame Rate	1920×1080@25 fps;1920×1080@30 fps
Electronic shutter	1/50s~1/3,000s
OSD	Control over coaxial cable
Exposure Mode	Auto/BLC/HLC
Advanced Function	2D-DNR
Transfer Distance	up to 500 meters(75-3)
Lens	
Lens	2.8-12mm
General	
IR	42IR
IR Distance	25-30m
Power Supply	DC12V
Power Consumption	400mA
Working Temperature	-10°C~+50°C

2 Megapixel 1080P HD CVI IR Dome Camera

Packing Information

Unit G.W.	1kg
Gift Box Size	161mm*161mm*121mm
Package/CTN	24pcs /CTN
CTN G.W.	24kg
Meas.	661mm(L)*337mm(W)*385mm(H)

Dimensions (mm)



Delta Swiss Technologies

2350 W. Union Hills Drive suite 140

Phoenix, AZ 85027

Tel: 602-573-5410

www.DeltaSwiss.com